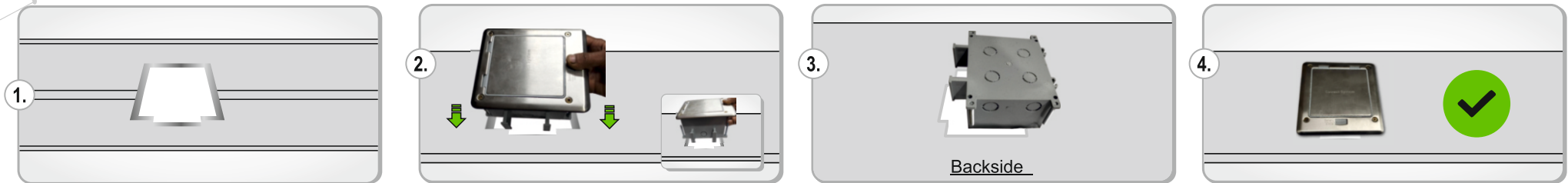


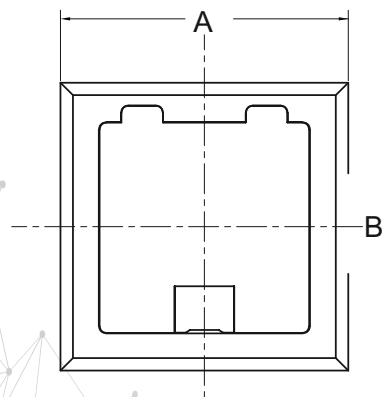
Water Proof Box

Water Proof Box Manual Installation



Product Dimension & Drawing

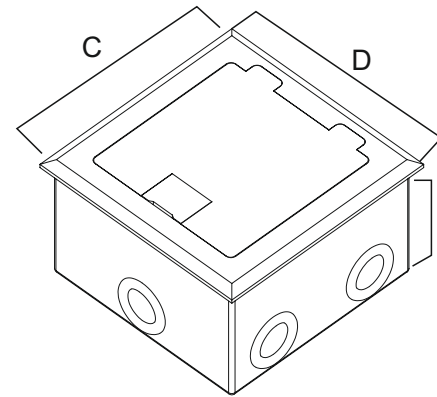
Outer Dimension



Outer Size

Module	3	6
A	140	140
B	170	170

Cut-out Dimension



Cut-out Size

Module	3	6
C	150	150
D	159	159
E	78	78

Connect System India

Address: 217, RG- 1 Rohini- Sector 14, Delhi- 110085 India.

Website: www.connectsystem.in

This Drawing is for Idea Purpose
Not For Cut-out Purpose

Toll Free: +91 9560370705

Email: care@connectsystem.in

Email: support@connectsystem.in