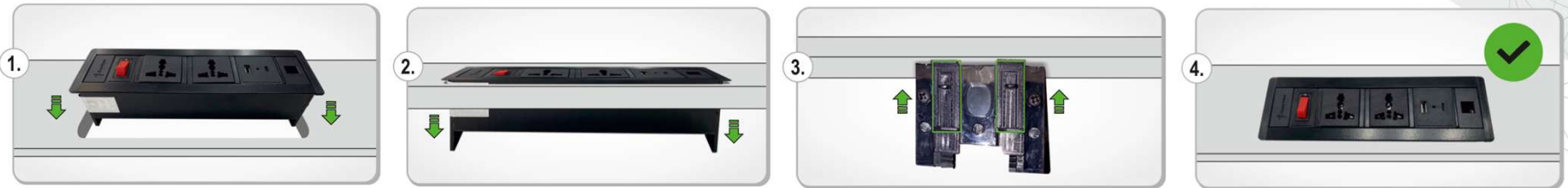
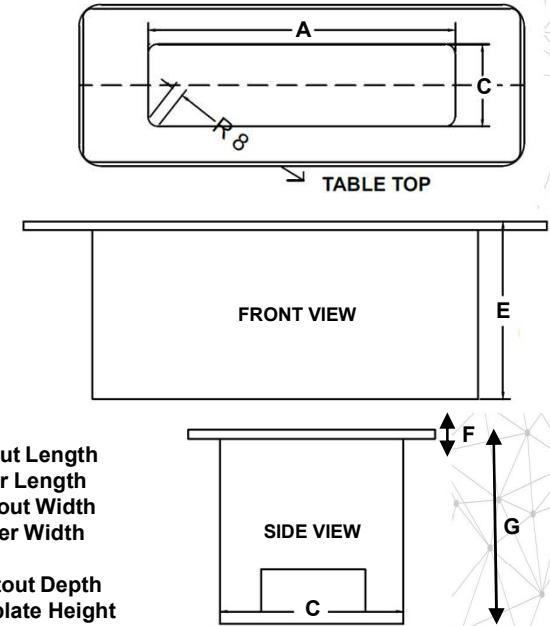
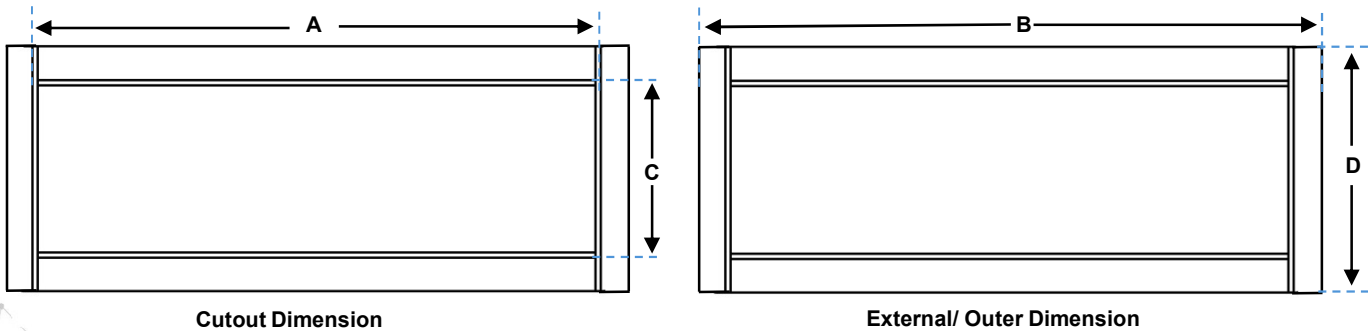


Technical DATA Sheet- Mount Connect

Mount Connect Manual Installation:



Product Drawing & Dimensions:



Modules- Size:

---	Modules									
	2	4	6	8	10	12	14	16	18	20
A	83	108	159	240	287	340	389	440	492	548
B	91	116	167	248	295	348	397	448	500	556

A - -- mm (Cutout Length)
B - -- mm (Outer Length)
C - 62 mm (Cutout Width)
D - 73 mm (Outer Width)
E - 58 mm (Cutout Depth)
F - 2 mm (Top plate Height)
G - 60 mm (Product Height)

PROPRIETARY AND CONFIDENTIAL

THE INFORMATION CONTAINED IN THE DRAWING IS THE SOLE PROPERTY OF CONNECT SYSTEM. ANY REPRODUCTION OR DISTRIBUTION IN PART OR AS A WHOLE WITHOUT THE WRITTEN PERMISSION OF CONNECT SYSTEM IS PROHIBITED.



Connect System India

217, Second Floor, R G Complex-1, Sector-14, Rohini, Delhi 110085, India

www.connectsystem.in

For Any Queries, We're Just a Call Away

e-Mail ID: support@connectsystem.in
care@connectsystem.in

Landline No.: 011-42474423/33/34

Toll Free No./ WhatsApp Us: +91 9560370705

Description:

All Dimensions are in mm

Note:-

This drawing is for reference only, not for cutout purpose